

Laboratory ball valve S4



Laboratory ball valve PVC with accessory



Laboratory ball valve PVDF with accessory

General:

- Material: PVC-U / PVDF
- Sealing material: EPDM / FPM
- Ball seating joint: PTFE
- Dimensions: DN6

Connector types:

PVC

- Body: BSP / NPT
- Hose nozzle Male thread: BSP / NPT
- Hose nozzle Female thread: BSP / NPT
- Double nipple: BSP – NPT, NPT – NPT
- Plug: BSP

PVDF

- Body: BSP / NPT
- Hose nozzle Male thread: BSP
- Double nipple: BSP – NPT
- Plug: BSP

Operating pressure:

- DN6 1/4" 3/8" 10 bar

Technical features:

- Lock- and metering ring for protection of laboratory ball valve of any unaware opening as well as or fix adjustment of ball opening angle
- Laboratory ball valve can be 100% opened by any time by taking of lock- and metering ring
- Compact design
- Low weight
- Corrosion resistant

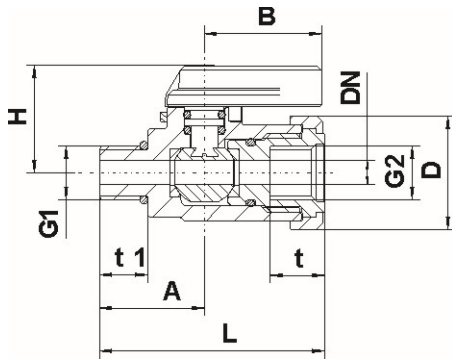
This document does not constitute a guarantee, it is for initial information purposes only. The product range is continually upgraded, the designs and types therefore only reflect the state of the art at the time of printing. Subject to technical modifications!



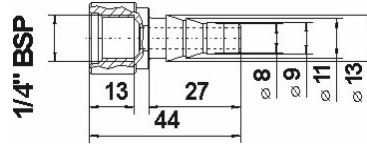
Laboratory ball valve S4



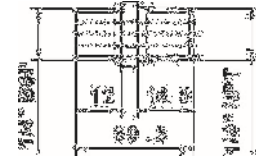
Dimensions:



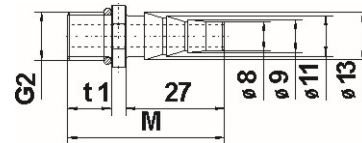
Laboratory ball valve



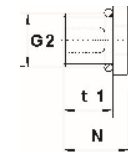
Hose nozzle female thread



Double nipple



Hose nozzle male thread

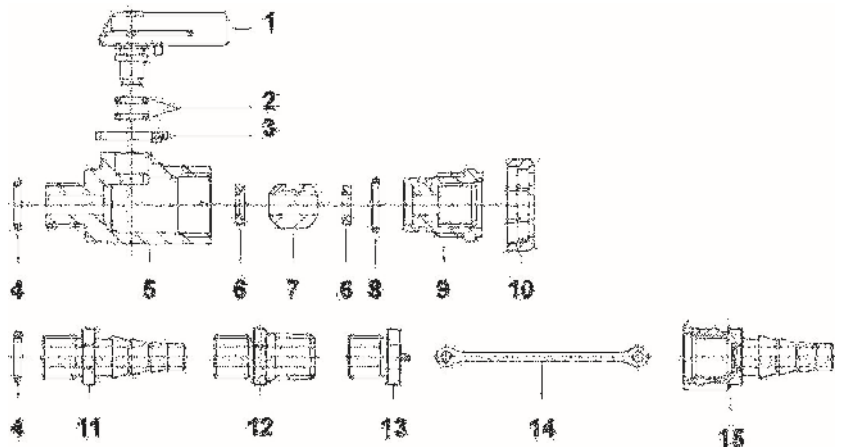


Plug

| | G1 | G2 | A | B | D | H | L | M | N | t | t1 | bar |
|------|----------|----------|------|------|----|------|------|------|------|------|------|-----|
| PVC | 1/4" BSP | 1/4" BSP | 26 | 29 | 28 | 26,5 | 56 | 43 | 16 | 13,5 | 12 | 10 |
| | 3/8" BSP | 1/4" BSP | 26 | 29 | 28 | 26,5 | 56 | 43 | 16 | 13,5 | 12 | 10 |
| | 1/4" NPT | 1/4" NPT | 28,5 | 29 | 28 | 26,5 | 58,5 | 45,5 | 18,5 | 13,5 | 14,5 | 10 |
| PVDF | 1/4" BSP | 1/4" BSP | 26 | 28,2 | 28 | 25,5 | 56 | 43 | 16 | 13,2 | 12 | 10 |
| | 1/4" NPT | 1/4" NPT | 28,5 | 28,2 | 28 | 25,5 | 58,5 | 45,5 | 18,5 | 13,2 | 14,5 | 10 |

Exploded drawing:

01. Handle
02. O-ring
03. Lock- and metering ring
04. O-ring
05. Body
06. Ball seating joint
07. Ball
08. O-ring
09. Thrust collar
10. Circlip
11. Hose nozzle
12. Double nipple
13. Plug
14. Clip tie

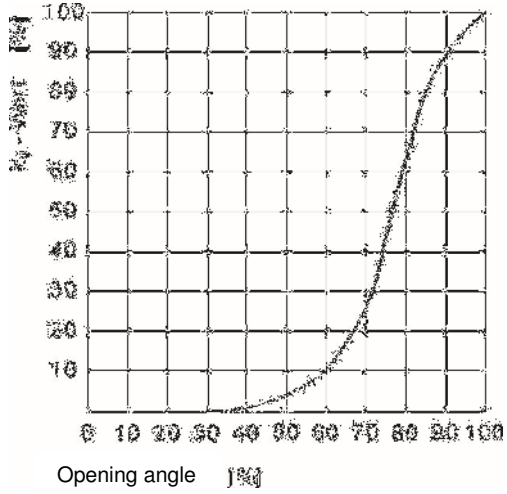


Laboratory ball valve S4



Diagrams:

Flow characteristics



Pressure-temperature-diagram

